

Repair Parts List

MODEL NUMBER

RCS511A

MANUFACTURING
NUMBER

P1330214M

COMMERCIAL MICROWAVE

When requesting service or ordering parts, always provide the following information:

- Product Type
- Part Number
- Model Number
- Part Description



16300141

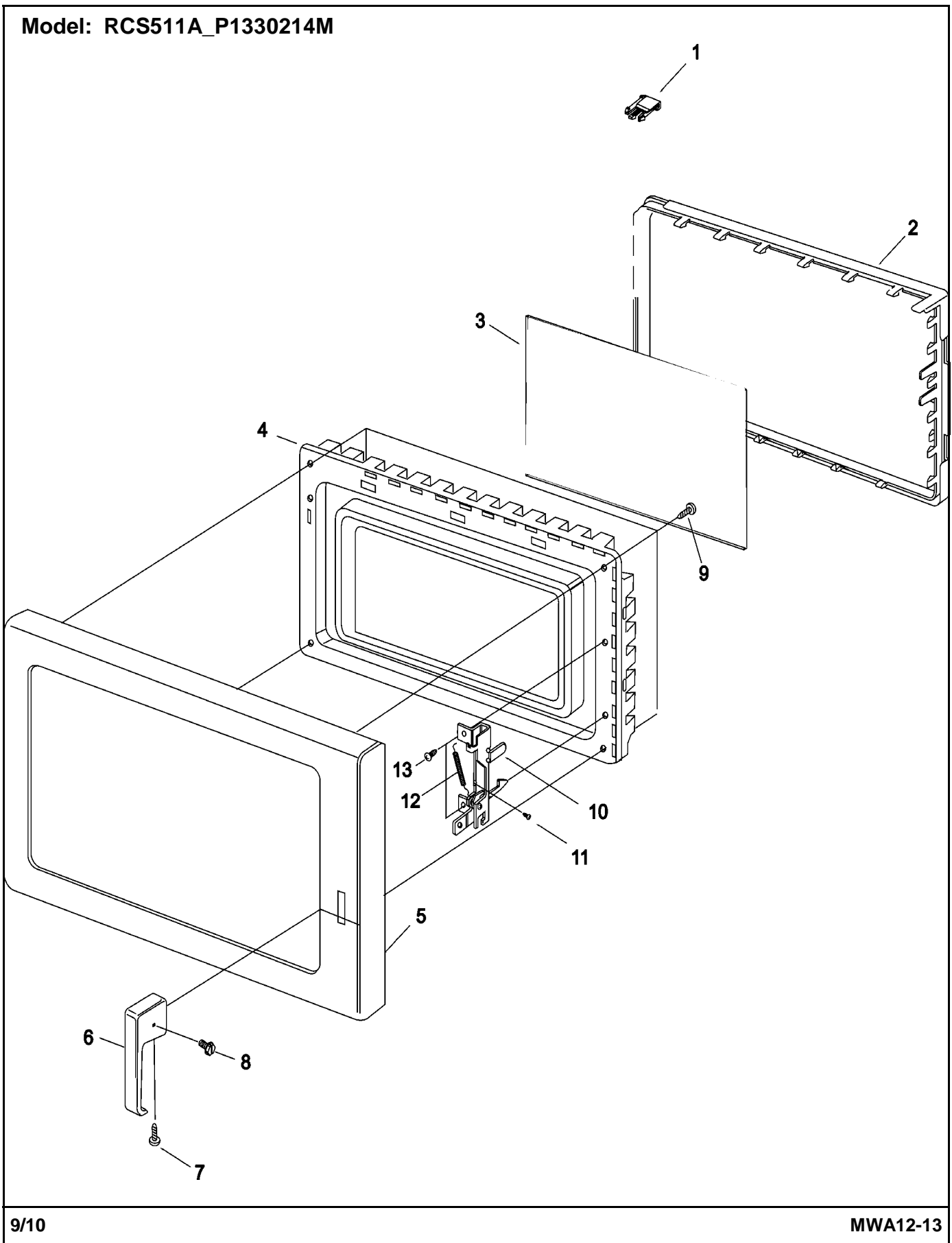
September 15, 2010



For additional information, email us at: info@easicook.co.uk

Section: DOOR

Model: RCS511A_P1330214M



Section: DOOR

No.	Part No.	Description	Series Qty
1	53001543	CAP, TOP HINGE	1
2	53002013	CHOKE COVER	
3	13066801	WINDOW, INNER DOOR	1
4	53002018	INNER DOOR WELDMENT	
5	53001820	ASSY, OUTER DOOR	1
6	12002453	HANDLE KIT- W/SCREWS & LOCTITE	1
7	59002164	SCREW- HANDLE BOTTOM	
8	59002163	SCREW- HANDLE SIDE	
9	R0654030	SCREW, PAN HD S/TAP	4
10	53001779	LATCH	1
11	R0654180	SCREW, PAN HD	1
12	53001780	SPRING	1
13	R0131246	SCREW, TAPPING TRUSS HEAD	2

9/10

*Color Code (-)=Not Shown #=Series, Serial Prefix or Run No., N=Not Available

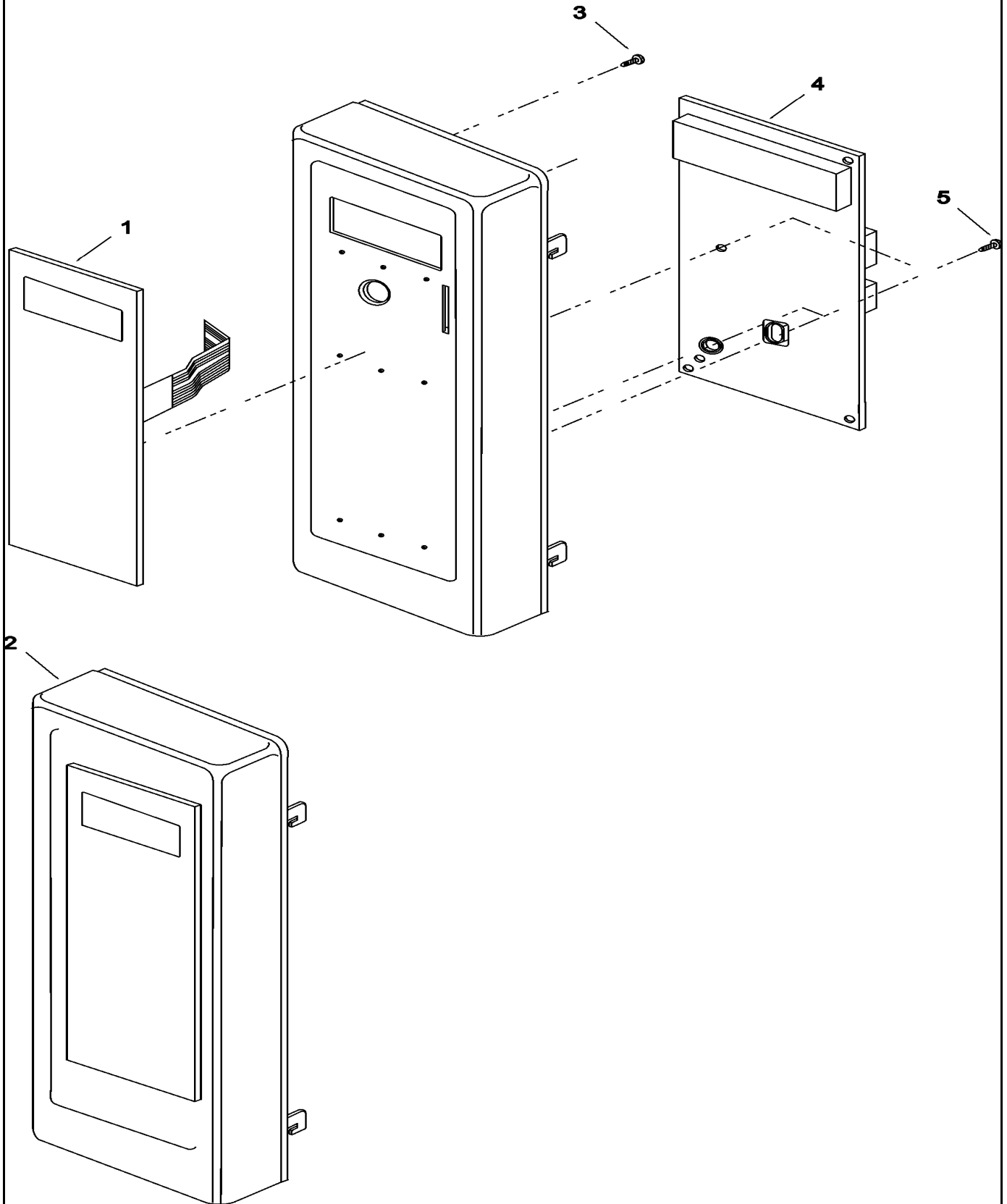


EASICOOK
ESTABLISHED 1977

For additional information, email us at: info@easicook.co.uk

Section: TIMER AND ESCUTCHEON

Model: RCS511A_P1330214M



Section: TIMER AND ESCUTCHEON

No.	Part No.	Description	Series Qty
1	53002010	TOUCH PANEL	
2	53002026	ESCUTCHEON / TOUCH PANEL ASSY	
3	R0654178	SCREW, SPECIAL D	1
4	53001659	BOARD, HV/LV	1
5	53001462	SCREW, PAN HEAD	3

9/10

*Color Code (-)=Not Shown #=Series, Serial Prefix or Run No., N=Not Available

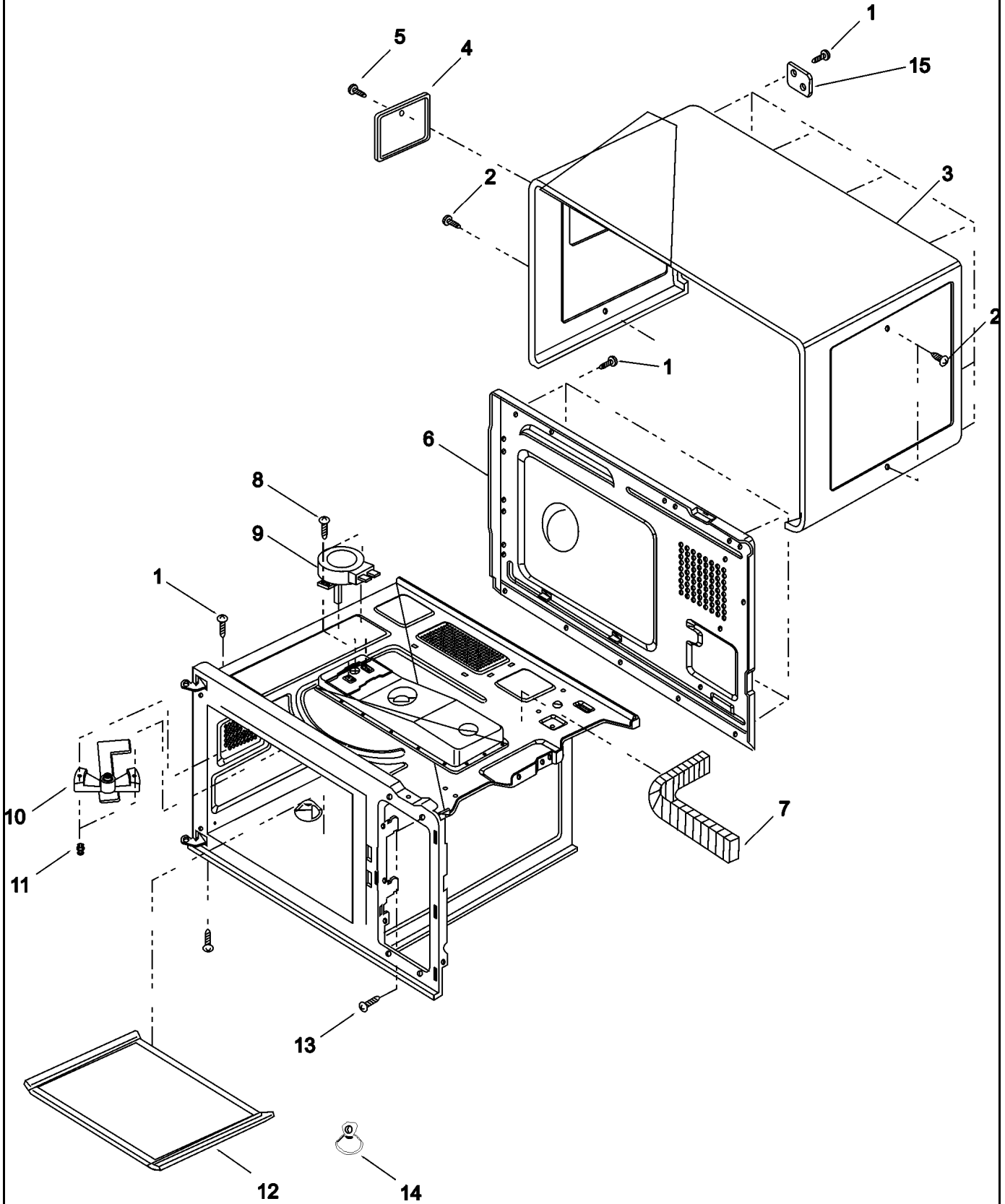


EASICOOK
ESTABLISHED 1977

For additional information, email us at: info@easicook.co.uk

Section: ANTENNA, TRAY, OUTER CASE,

Model: RCS511A_P1330214M



Section: ANTENNA, TRAY, OUTER CASE,

No.	Part No.	Description	Series Qty
1	R0654183	SCREW, TRUSS HD	14
2	R0131246	SCREW, TRUSS HD S/TAP	
3	53001577	OUTER CASE- STAINLESS	1
4	53001579	COVER, LAMP- STAINLESS	1
5	53001609	SCREW TAPPING, COUNTER SUNK HD	1
6	53001551	BACK PANEL	1
7	53001610	GASKET	
8	R0654180	SCREW, PAN HD	2
9	59001625	MOTOR, ANTENNA 220-240V	1
10	12002451	ANTENNA KIT- W/RIVETS	1
11	53001554	RIVET ASSEMBLY	1
12	53002009	TRAY, CERAMIC	
13	R0131246	SCREW, TAPPING TRUSS HEAD	1
14	59001235	SUCTION CUP- FOR TRAY REMOVAL	1
15	53001619	BRACKET, STACKING	1

9/10

*Color Code (-)=Not Shown #=Series, Serial Prefix or Run No., N=Not Available



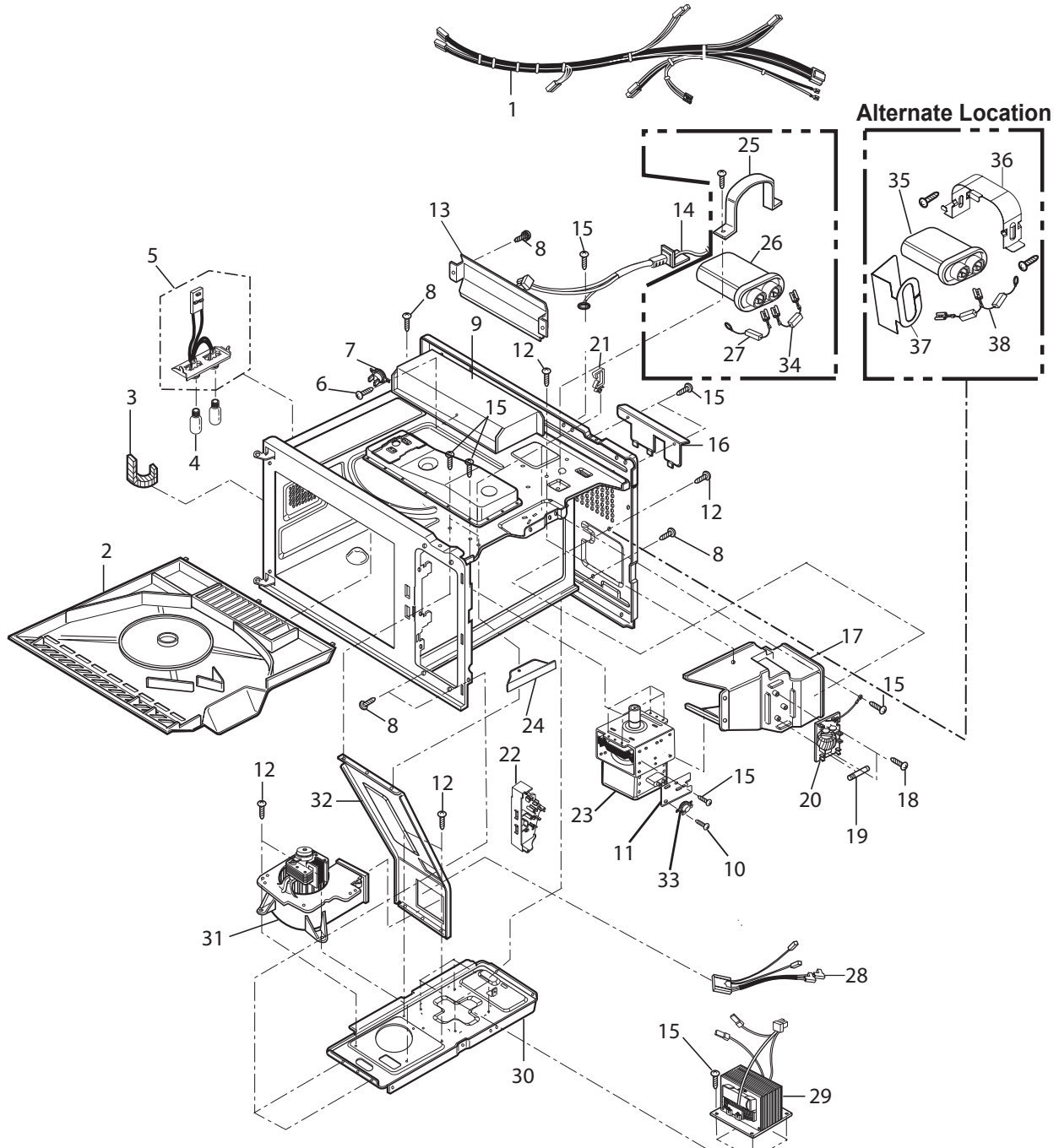
EASICOOK

ESTABLISHED 1977

For additional information, email us at: info@easicook.co.uk

Section: ELECTRICAL, GREASE SHIELD, DUCTS,

Model: RCS511A_P1330214M



Section: ELECTRICAL, GREASE SHIELD, DUCTS,

No.	Part No.	Description	Series Qty
1	53001661	HARNESS, MAIN	1
2	53002003	GREASE SHIELD	
3	53001610	GASKET	
4	53001590	LAMP	2
5	53001591	LAMP SOCKET / BRACKET ASSY	1
6	R0654030	SCREW, PAN HD S/TAP	1
7	53001817	THERMOSTAT	1
8	R0131246	SCREW, TAPPING TRUSS HEAD	5
9	53001559	DUCT, OUTLET-TOP	1
10	R0131307	SCREW TAPPING,PAN HEAD	1
11	53001643	BRACKET- THERMOSTAT	1
12	R0654183	SCREW, TRUSS HD	5
13	53001620	AIR DEFLECTOR	1
14	53001818	POWER CORD ASSEMBLY	1
15	R0654028	SCREW, BINING HD S/TAP	11
16	53001621	COVER, POWER CORD	1
17	53001563	DUCT, MAIN	1
18	53001462	SCREW, PAN HEAD	2
19	M0805105	FUSE, 12 AMP	1
20	53001667	FILTER ASSEMBLY (CIRC), NOISE	1
21	B5667304	HOLDER- WIRING	
22	14090023	SWITCH ASSY, INTERLOCK	
23	59004083	MAGNETRON	
24	53001622	BRACKET	1
25	53001663	BRACKET, CAPACITOR	1
26	59004046	CAPACITOR-1.20	
27	53001583	DIODE- RED SLEEVE	1
28	53001668	HARNESS- TRANSFORMER PRIMARY	1
29	53002024	TRANSFORMER HV	
30	53001568	BASE- TRANSFORMER	1
31	53001670	BLOWER MOTOR ASSY	1
32	53001570	GUIDE, AIR	1
33	R9900542	THERMOSTAT - MAG	1
34	53001725	CABLE ASSY, CIRCUIT PROTECTOR	1
35	53002066	CAPACITOR - 1.20	
36	53002067	BRACKET, CAPACITOR	1
37	53002068	INSULATOR	1
38	53001210	DIODE	1

9/10

*Color Code (-)=Not Shown #=Series, Serial Prefix or Run No., N=Not Available



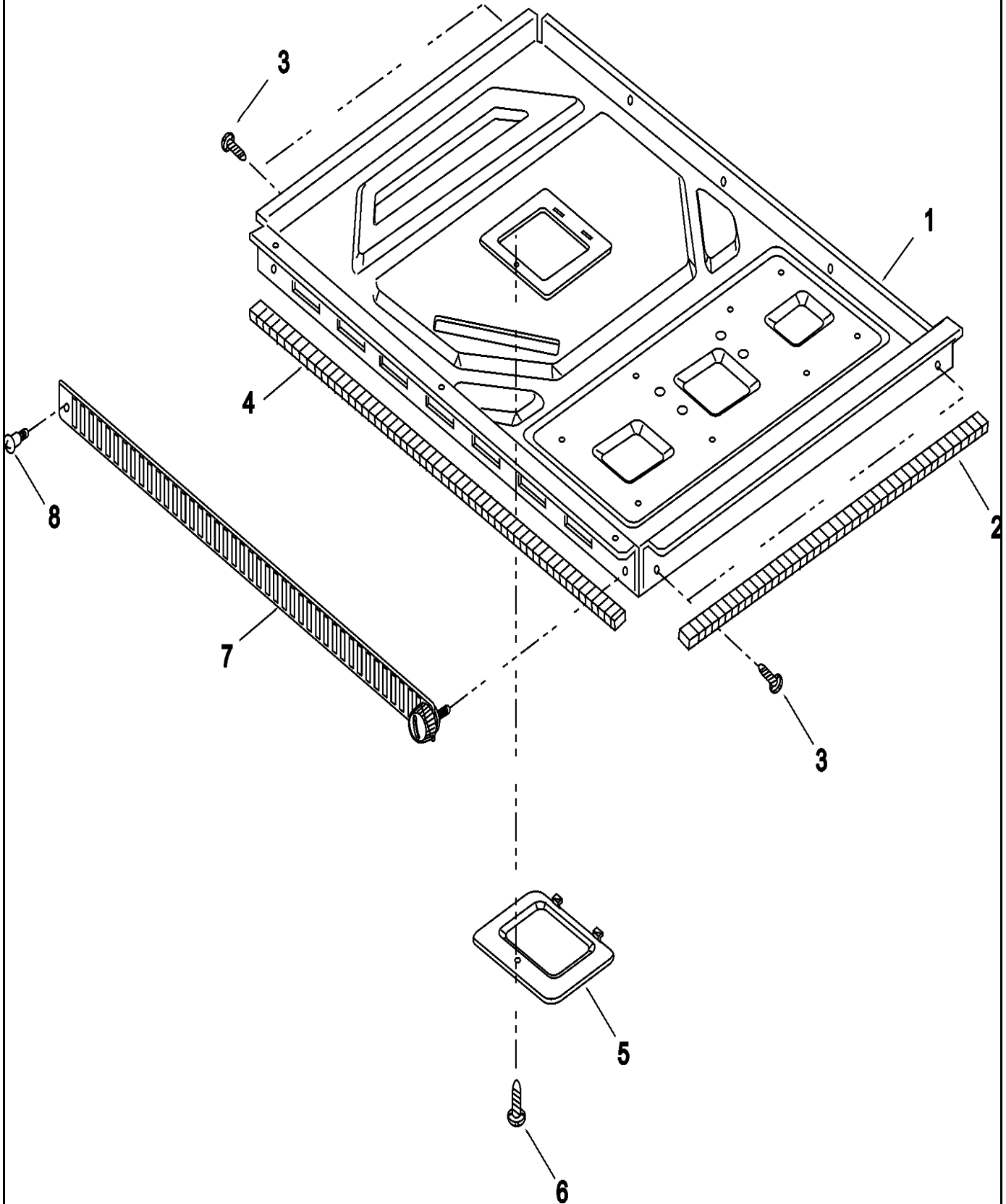
EASICOOK

ESTABLISHED 1977

For additional information, email us at: info@easicook.co.uk

Section: BASE AND FILTER

Model: RCS511A_P1330214M



Section: BASE AND FILTER

No.	Part No.	Description	Series Qty
1	53001625	BASE PLATE- W/COVER & GASKETS	1
2	R0000413	GASKET, BASE- SIDE	
3	R0131246	SCREW, TRUSS HD S/TAP	
4	R0000413	GASKET, BASE- FRONT	
5	53001628	COVER, BASE	1
6	R0131246	SCREW, TAPPING TRUSS HEAD	1
7	53001571	FILTER, AIR- W/THUMB SCREW	1
8	53001629	SCREW, DRAWING	2

9/10 *Color Code (-)=Not Shown #=Series, Serial Prefix or Run No., N=Not Available



Section: SUPPLEMENTAL INFORMATION

No.	Part No.	Description	Series Qty
1	16025963	SVR MAN, INTL COMM MICROWAVE	1
2	N 53001634	USE & CARE	1
3	N 16025964	TECH SHT, INTL COMM MICROWAVE	1

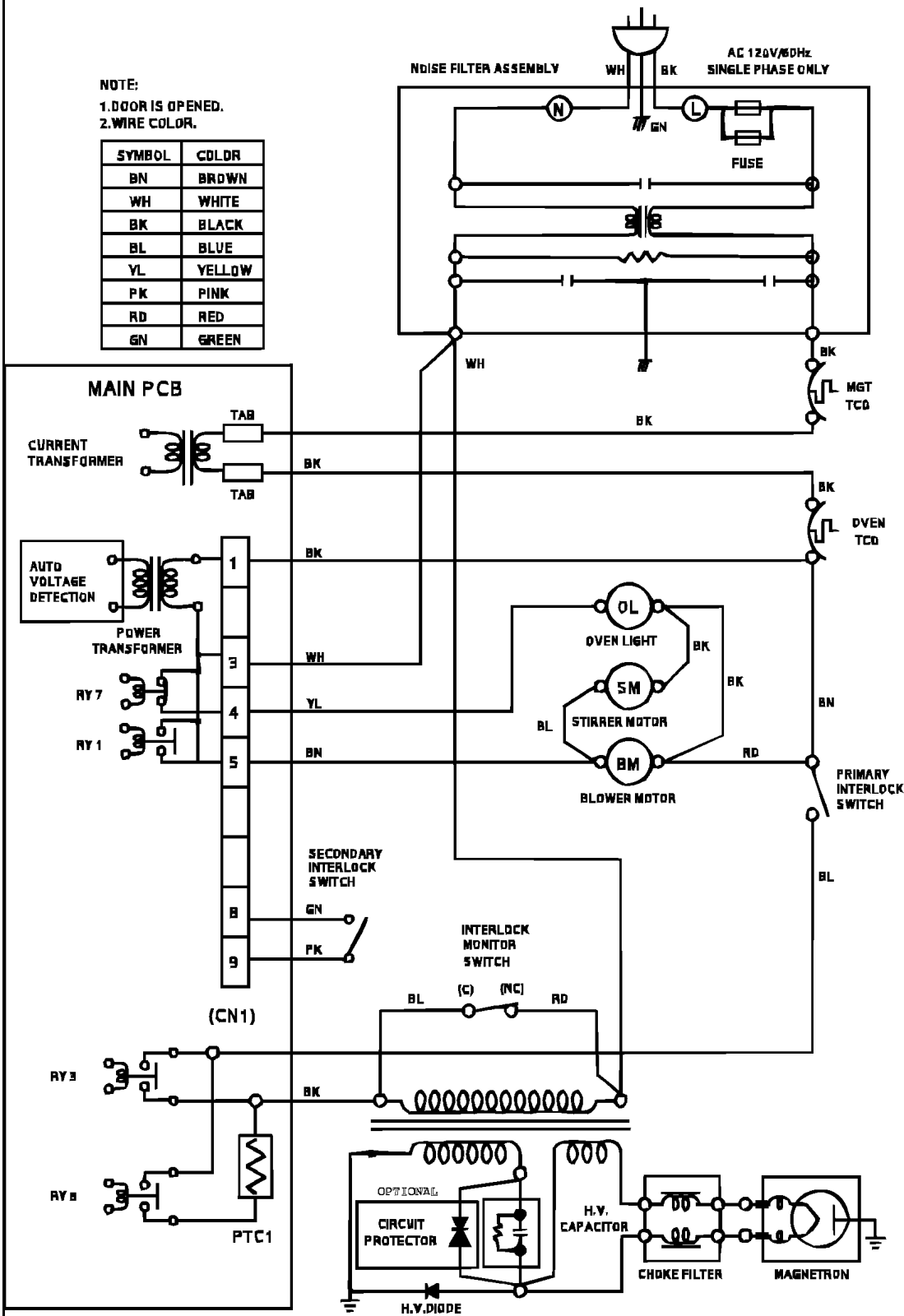


Section: WIRING INFORMATION

Model: RCS511A_P1330214M

NOTE:
1. DOOR IS OPENED.
2. WIRE COLOR.

SYMBOL	COLOR
BN	BROWN
WH	WHITE
BK	BLACK
BL	BLUE
YL	YELLOW
PK	PINK
RD	RED
GN	GREEN



IMPORTANT SAFETY NOTE: THE SHADED AREAS ON THIS SCHEMATIC DIAGRAM INCORPORATE SPECIAL FEATURES IMPORTANT FOR PROTECTION FROM MICROWAVE RADIATION ELECTRICAL SHOCK, AND HAZARDS. WHEN SERVICING IT IS ESSENTIAL THAT ONLY MANUFACTURERS SPECIFIED PARTS BE USED FOR THE CRITICAL COMPONENTS IN THE SHADED AREAS OF THE SCHEMATIC DIAGRAM.

NOTICE: SINCE THIS IS BASIC SCHEMATIC DIAGRAM, THE VALUES OF COMPONENTS AND SOME PARTIAL CONNECTIONS ARE SUBJECT TO CHANGE FOR IMPROVEMENT.



EASICOOK

ESTABLISHED 1977

For additional information, email us at: info@easicook.co.uk