

# Repair Parts List

MODEL NUMBER

ALD510D

MANUFACTURING  
NUMBER

P1331003M

## COMMERCIAL MICROWAVE

When requesting service or ordering parts, always provide the following information:

- Product Type
- Part Number
- Model Number
- Part Description

***Amana***  
HIGH PERFORMANCE HAS A NAME™

PART OF  FOODSERVICE GROUP

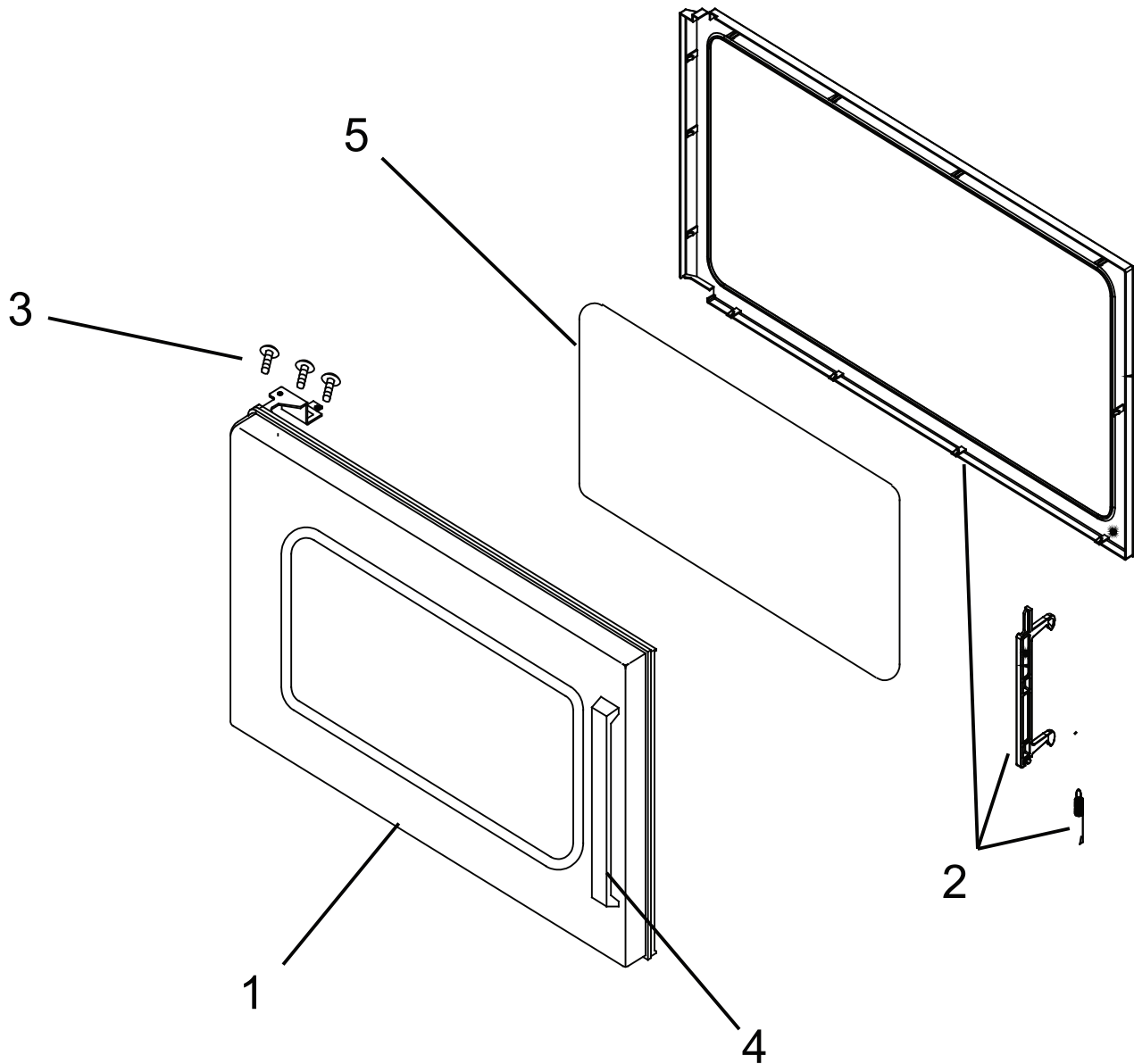
December 15 2006

  
**EASICOOK**  
ESTABLISHED 1977

For additional information, email us at: [info@easicook.co.uk](mailto:info@easicook.co.uk)

Section: DOOR

Model: ALD510D\_P1331003M



## Section: DOOR

No.	Part No.	Description	Series Qty
1	56001423	DOOR ASSY	1
2	12002624	SPRING/LATCH/CHOKE COVER KIT	1
3	56001217	SCREW	3
4	12002870	KIT, DOOR HANDLE	1
5	56001406	WINDOW, INNER	1

10/08

\*Color Code (-)=Not Shown #=Series, Serial Prefix or Run No., N=Not Available

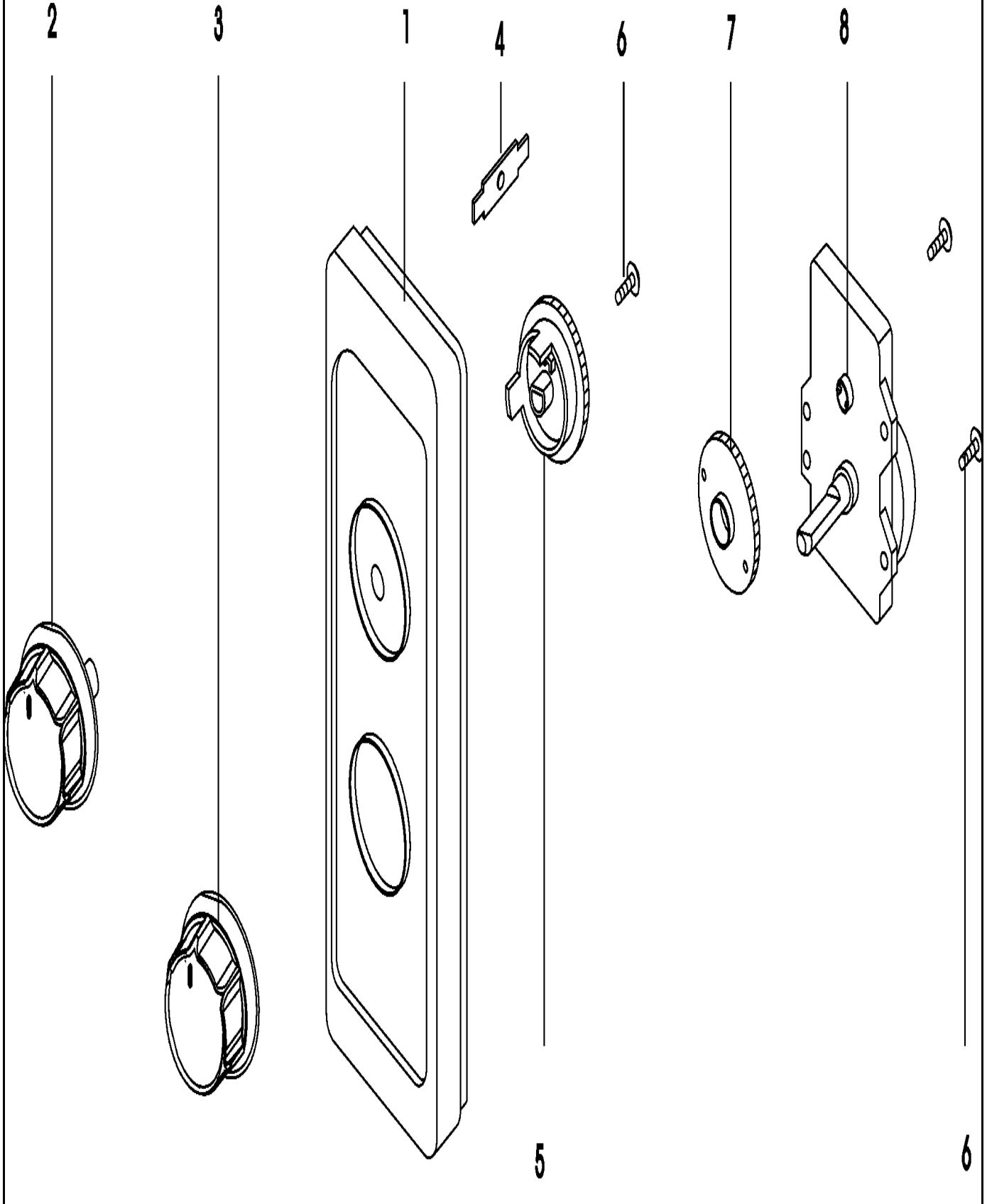


**EASICOOK**  
ESTABLISHED 1977

For additional information, email us at: [info@easicook.co.uk](mailto:info@easicook.co.uk)

Section: CONTROL PANEL

Model: ALD510D\_P1331003M



12/06

MWA10-20

## Section: CONTROL PANEL

No.	Part No.	Description	Series Qty
1	56001418	CONTROL PANEL ASSEMBLY	1
2	56001416	KNOB-VPC	1
3	56001417	KNOB	1
4	56001419	SPRING FLAT	1
5	56001420	COUPLER VPC KNOB	1
6	56001210	SCREW	3
7	56001421	COUPLER TIMER	1
8	56001458	TIMER, DIAL	1

12/06

\*Color Code (-)=Not Shown #=Series, Serial Prefix or Run No., N=Not Available

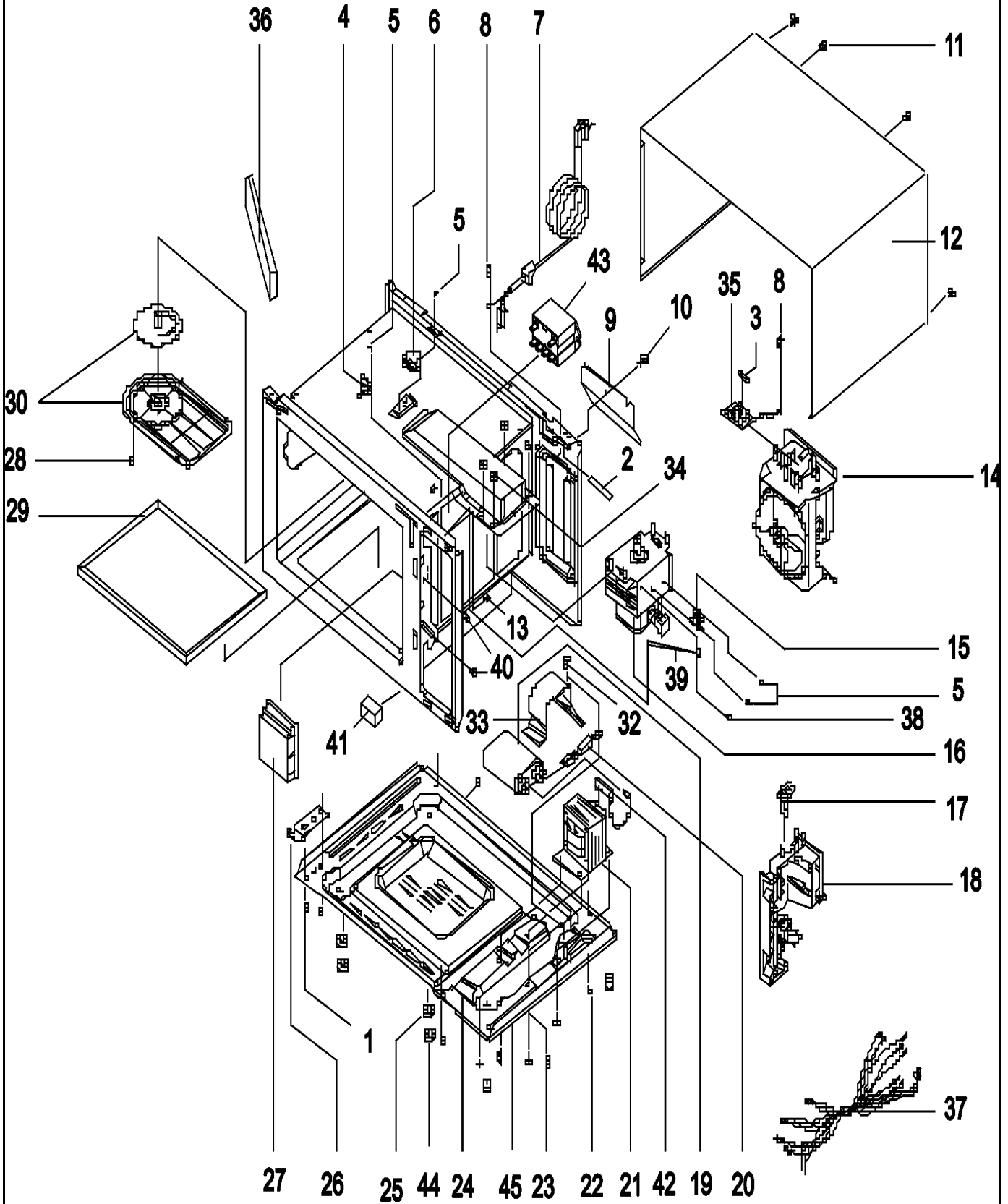


**EASICOOK**  
ESTABLISHED 1977

For additional information, email us at: [info@easicook.co.uk](mailto:info@easicook.co.uk)

Section: ELECTRICAL COMPONENTS

Model: ALD510D\_P1331003M



## Section: ELECTRICAL COMPONENTS

No.	Part No.	Description	Series Qty
1	56001470	SCREW	1
2	56001451	FOAM	1
3	56001475	FUSE, 12 A.	1
4	56001426	THERMAL CUT-OUT, CAVITY	1
5	56001230	SCREW	4
6	56001460	MOTOR, STIRRER	1
8	56001461	SCREW	2
9	56001428	AIR DEFLECTOR- REAR	1
10	56001210	SCREW	1
11	56001151	SCREW	4
12	56001429	WRAPPER	1
13	56001210	SCREW	1
14	56001459	BLOWER MOTOR ASSY	1
15	56001432	THERMAL CUT-OUT, MAG	1
16	56001462	MAGNETRON	1
17	56001463	BULB/ SOCKET ASSY	1
18	56002011	INTERLOCK SWITCH ASSEMBLY	1
19	56001464	CAPACITOR HV	1
20	56001436	DIODE HV	1
21	56001465	TRANSFORMER HV	1
22	56001151	SCREW	6
23	56001222	SCREW	4
24	56001466	BASE	1
25	56001224	FOOT, BASE	4
26	56001439	HINGE, LOWER	1
27	56001440	AIR GUIDE	1
28	56001450	RIVET ASSY	1
29	56001441	TRAY ASSY	1
30	12002625	COVER/STIRRER BLADE-KIT/RIVETS	1
31	56001449	FOAM	1
32	56001153	SCREW	1
33	56001467	HOLDER, CAPACITOR	1
34	56001051	NUT, HINGE	4
35	56001468	FUSE BLOCK / FILTER ASSY	1
36	56001449	FOAM	1
37	56001469	HARNESS MAIN	1
38	56001151	SCREW	1
39	56001447	SUPPORTER WIRE	1
40	56001470	SCREW	2
41	56001473	FOAM	1
42	56001474	FUSE HV	1
43	56001480	RELAY ASSEMBLY	1
44	56001482	FOOT COVER	4
45	56001483	FOAM	1

12/06

\*Color Code (-)=Not Shown #=Series, Serial Prefix or Run No., N=Not Available



**EASICOOK**  
ESTABLISHED 1977

For additional information, email us at: [info@easicook.co.uk](mailto:info@easicook.co.uk)

**Section: SUPPLEMENTAL INFORMATION**

No.	Part No.	Description	Series Qty
1	16026969	SVC MAN, INTL COMM MICRO	1
2	16026970	TECH SHT, INTL COMM MICRO DIAL	1

12/06 \*Color Code (-)=Not Shown #=Series, Serial Prefix or Run No., N=Not Available



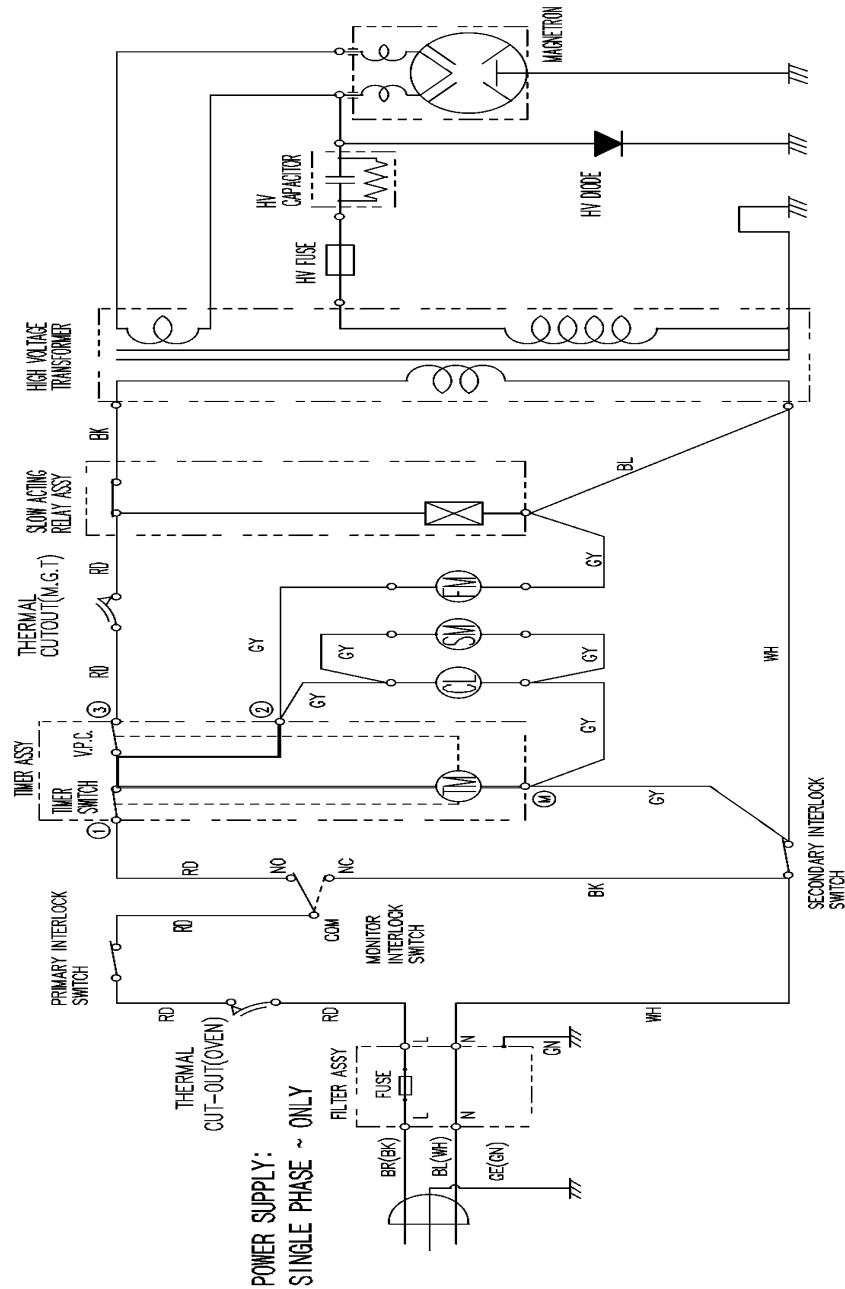
**7**

For additional information, email us at: [info@easicook.co.uk](mailto:info@easicook.co.uk)



Section: WIRING INFORMATION

Model: ALD510D\_P1331003M



NOTE : RD: RED OR: ORANGE  
 WH: WHITE BL: BLUE  
 BK: BLACK GY: GRAY  
 GN: GREEN GE: GREEN/YELLOW  
 BR: BROWN

CL: CAVITY LAMP  
 FM: FAN MOTOR  
 SM: STRIRER MOTOR  
 TM: TIMER MOTOR  
 V.P.C.: VARIABLE CONTROLLER

[CONDITION]  
 DOOR: CLOSE  
 TIMER: ON  
 V.P.C.: HIGH



**EASICOOK**

ESTABLISHED 1977

For additional information, email us at: [info@easicook.co.uk](mailto:info@easicook.co.uk)