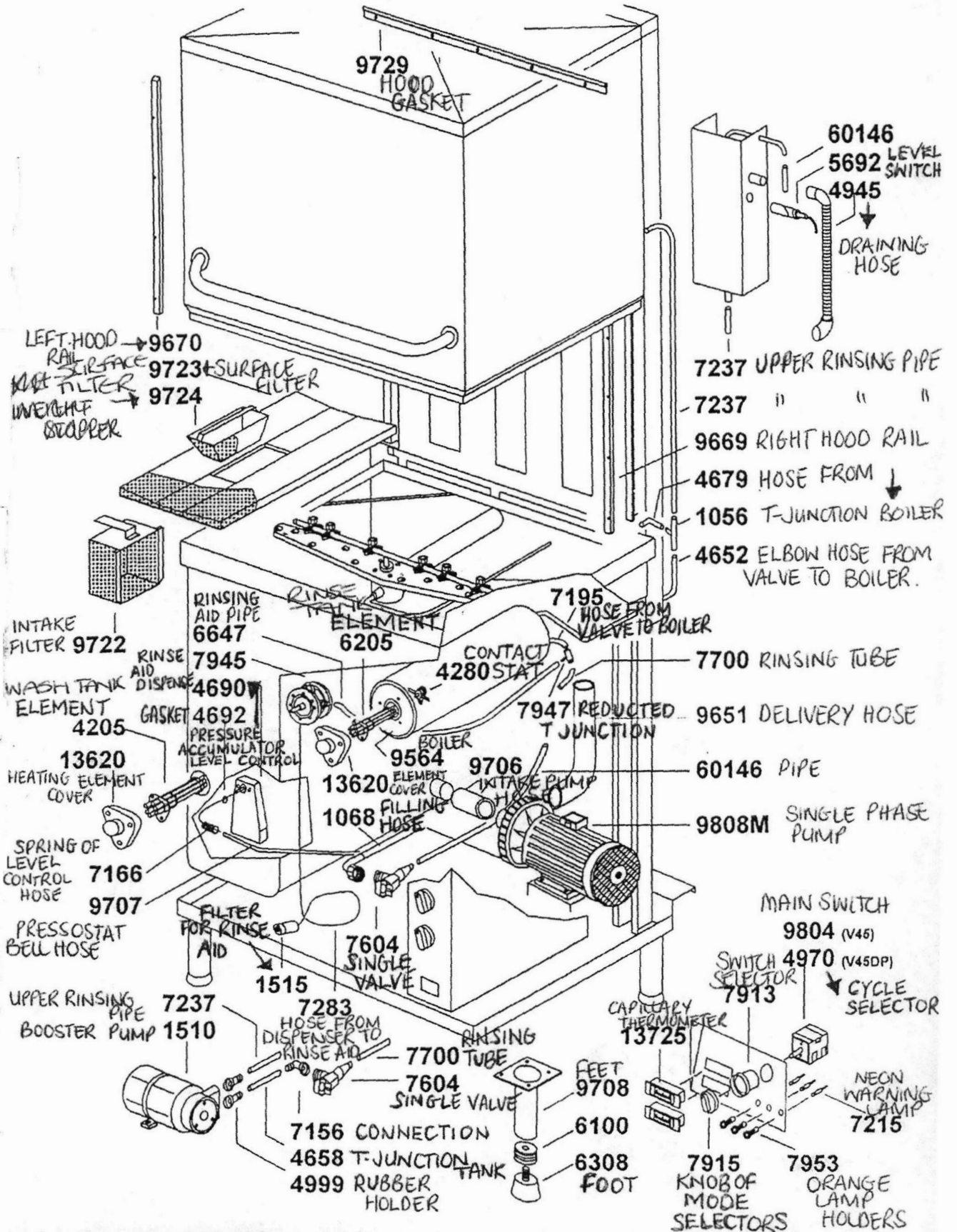
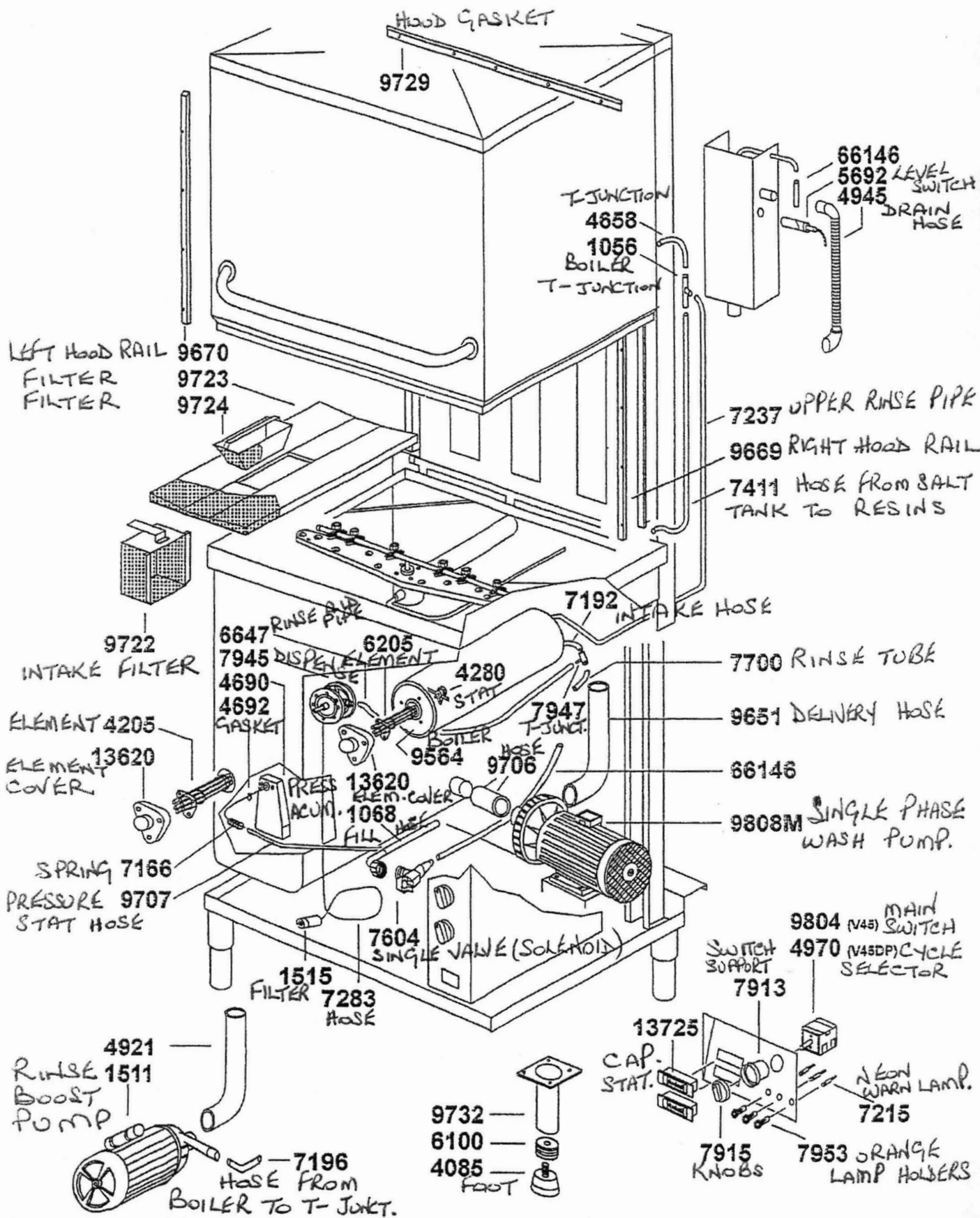


HOOD = ASSUP



MASTERWASH Modello
Modello
Modello
Modello **V 45 - 45DP** Dis. N°EM.AT.005

Date
Date
Date
Date 01-04-98



MASTERWASH

Modello
Modelo
Model
Model

V 45 - 45DP

Dis. N° EM.AT.007

Data
Datum
Date

03-04-02