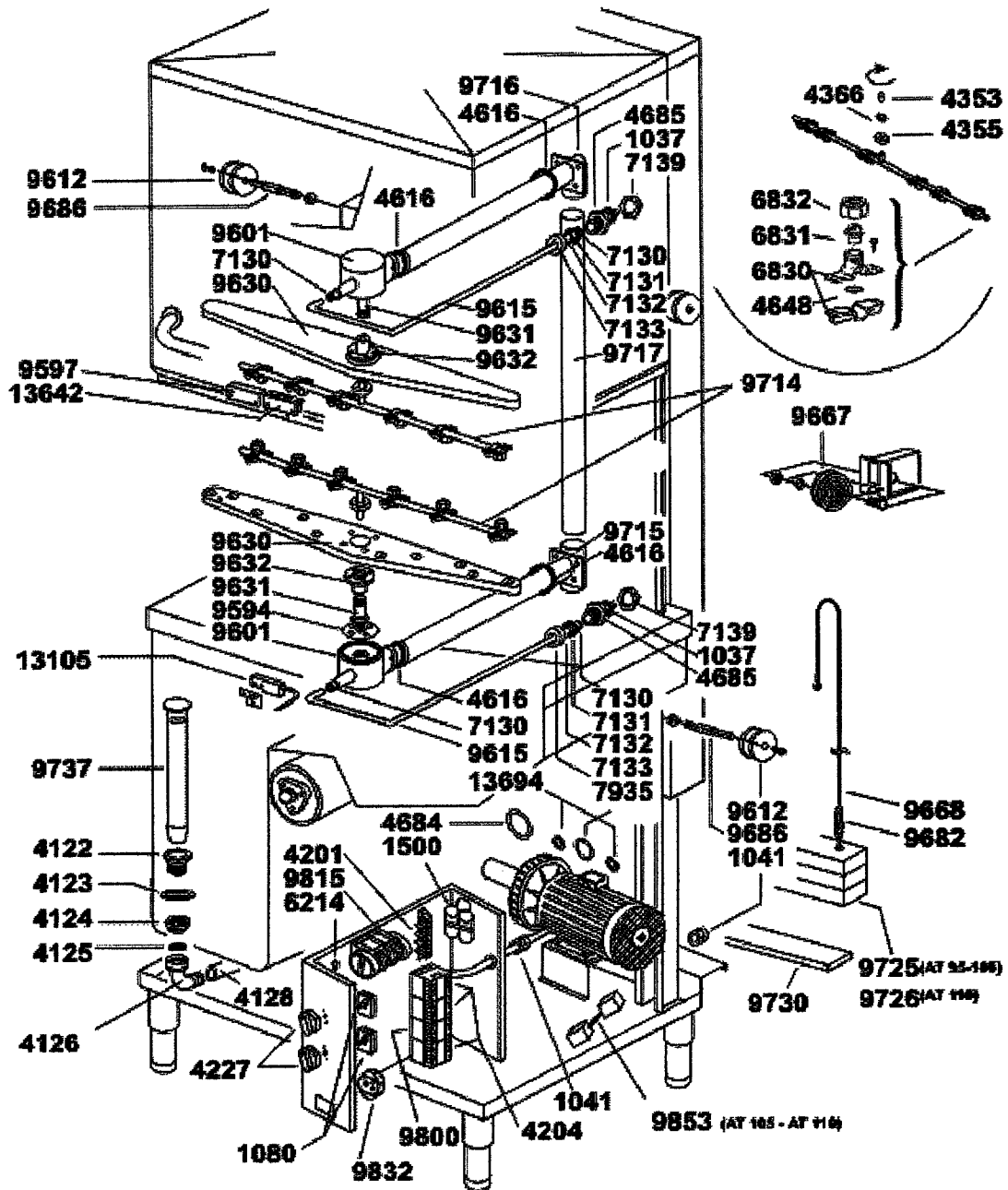


AT 105 - 110

Dis N EM/AT.002

Delta 01-01-07





AT 95 - 105 - 110

Dis. N. EE. AT. 003

data 01-08-95

