

www.atasrl.com

Modello **B 20**

Dis. n° EM.AL.131

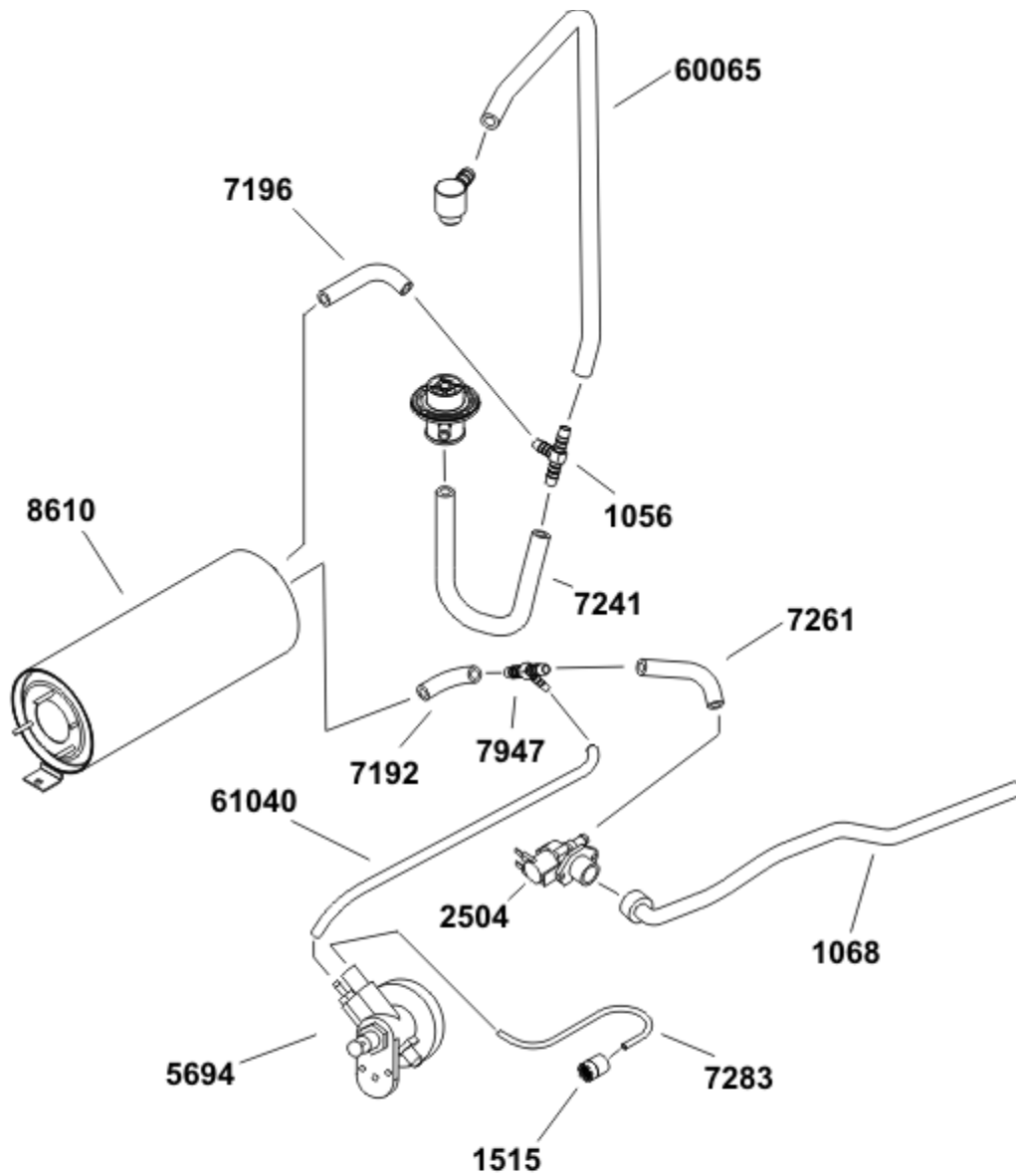
Data: 01/06/13

Professional dishwashers

A.T.A. S.R.L. 35026 CONSELVE (PD) ITALY VIALE DEL PROGRESSO 20 - Z. I. PHONE 049/9500555 (4 LINEE R.A.) FAX 049/9500560



For additional information, email us at: info@easicook.co.uk



www.atasrl.com

Modello
Modello
Modello
Modello
B 20

Dis. n° EI.AL.130

Data: 01/06/13



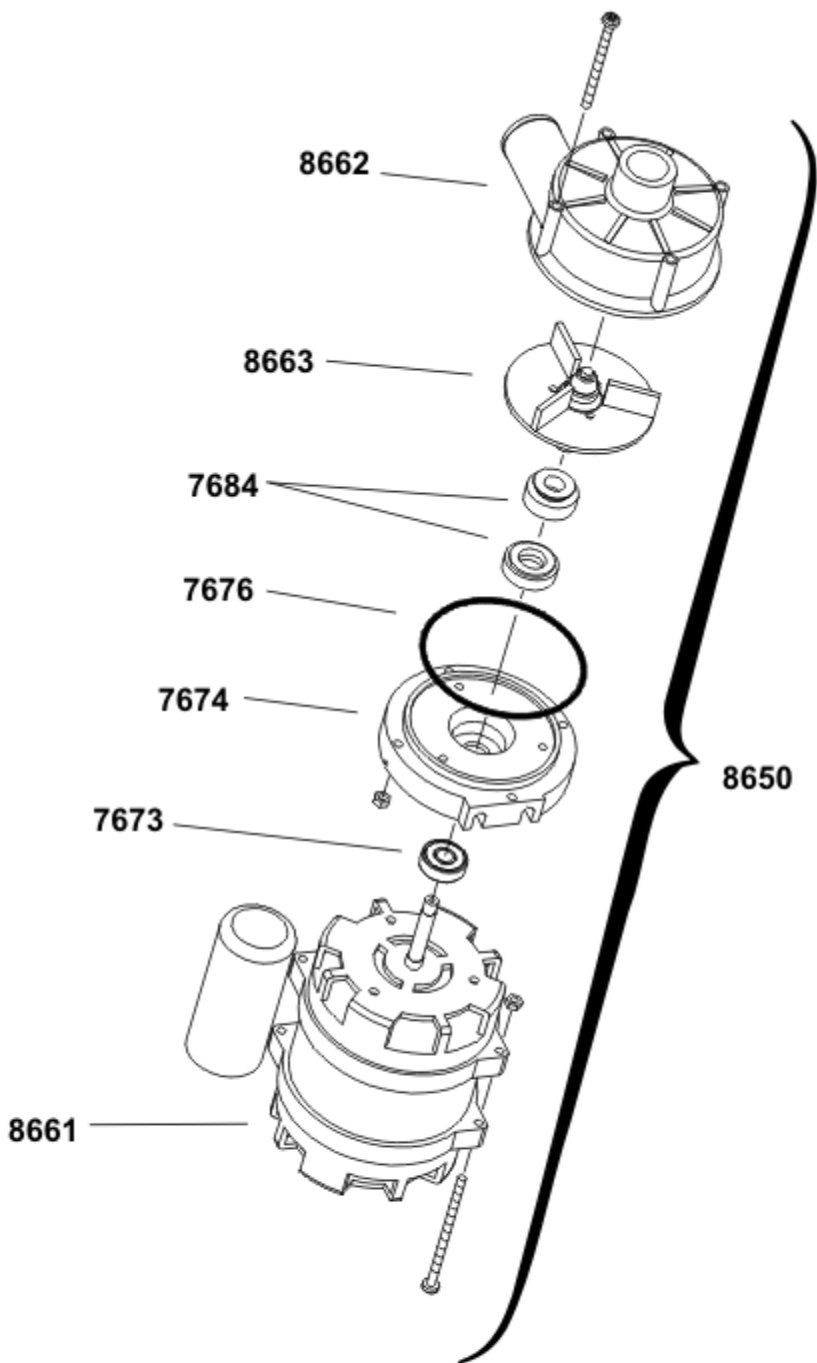
Professional dishwashers

A.T.A. S.R.L. 35026 CONSELVE (PD) ITALY VIALE DEL PROGRESSO 20 - Z. I. PHONE 049/9500555 (4 LINEE R.A.) FAX 049/9500560



EASICOOK
ESTABLISHED 1977

For additional information, email us at: info@easicook.co.uk



ELETTROPOMPA

Modello
Modello
Modello
Modello
0,1 HP

Dis. n° EE.P.069

Data: 01/01/14



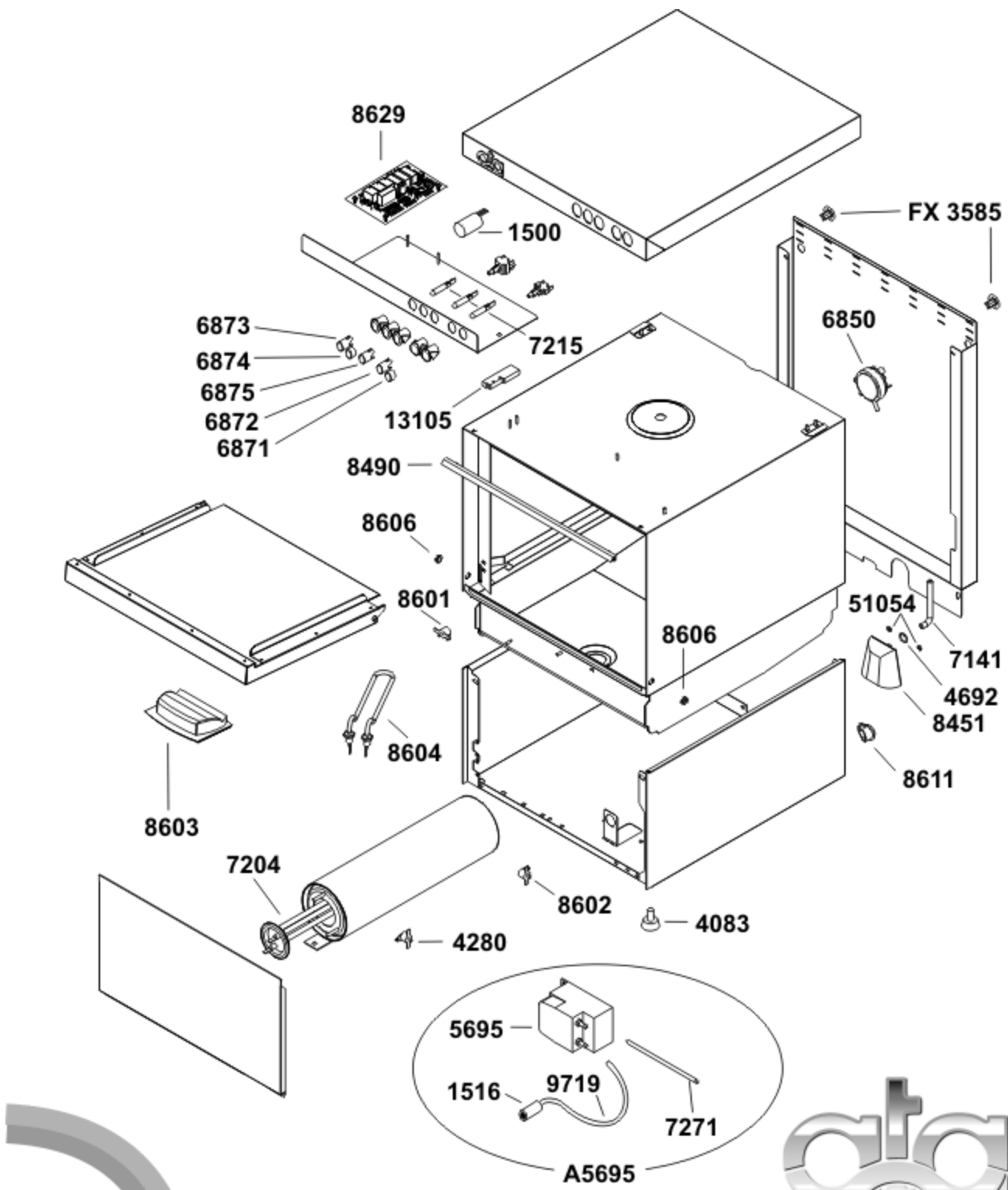
www.atasrl.com

A.T.A. S.R.L. 35026 CONSELVE (PD) ITALY VIALE DEL PROGRESSO 20 - Z. I. PHONE 049/9500555 (4 LINEE R.A.) FAX 049/9500560



EASICOOK
ESTABLISHED 1977

For additional information, email us at: info@easicook.co.uk



www.atasrl.com

Modello **B 20**

Dis. n° EE.AL.129

Data: 01/06/13

Professional dishwashers

A.T.A. S.R.L. 35026 CONSELVE (PD) ITALY VIALE DEL PROGRESSO 20 - Z. I. PHONE 049/9500555 (4 LINEE R.A.) FAX 049/9500560



For additional information, email us at: info@easicook.co.uk