

Model
Model
Model

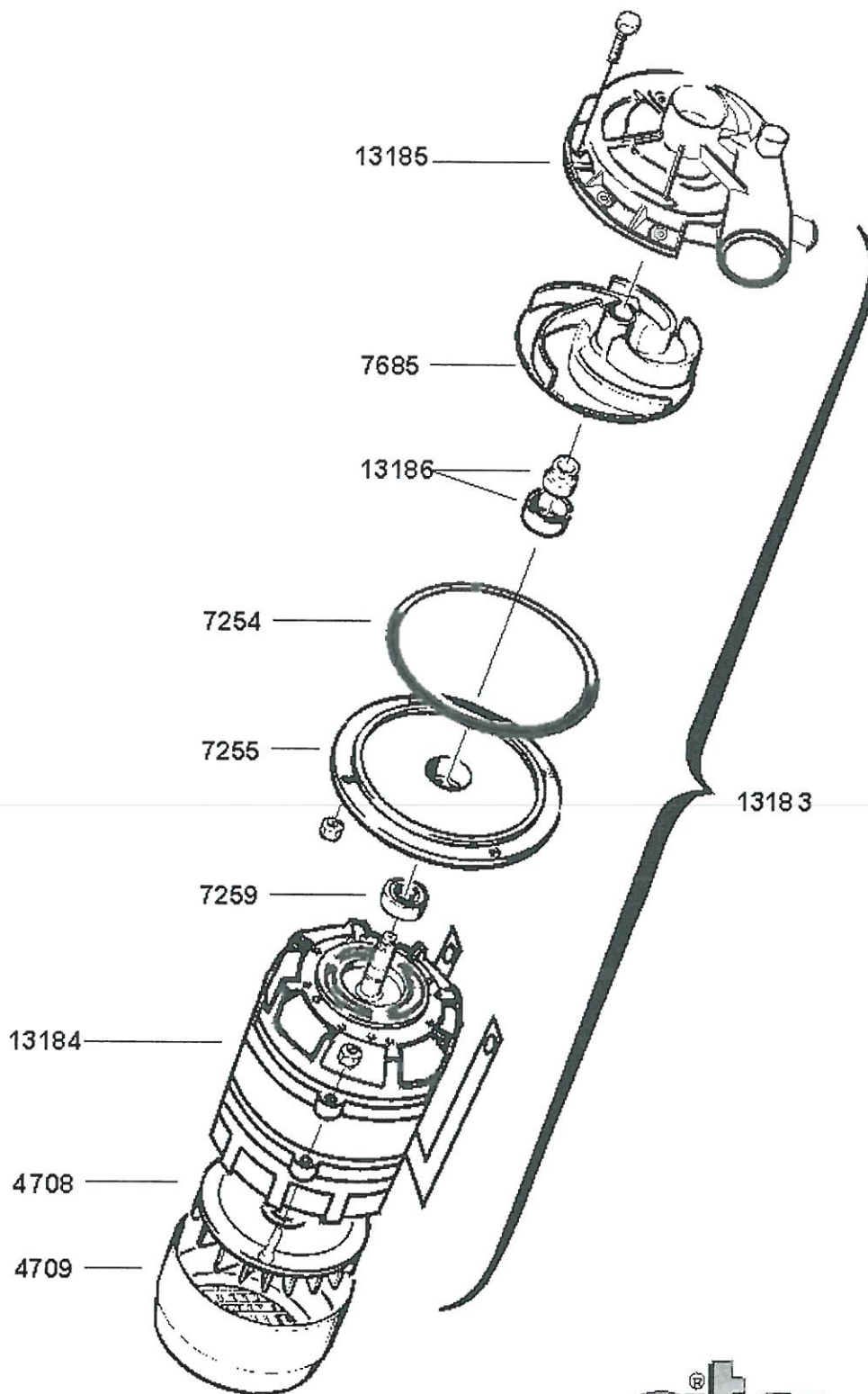
AT 95

Dis. N° EM.AT.001

data: 01-03-00



A.T.A. S.R.L. 36026 CONSBVE (PD) ITALY VALE DEL PROGRESSO 20 - Z. I.P.HONE 04979600555 (4 LINEE RA.) FAX 0499500660



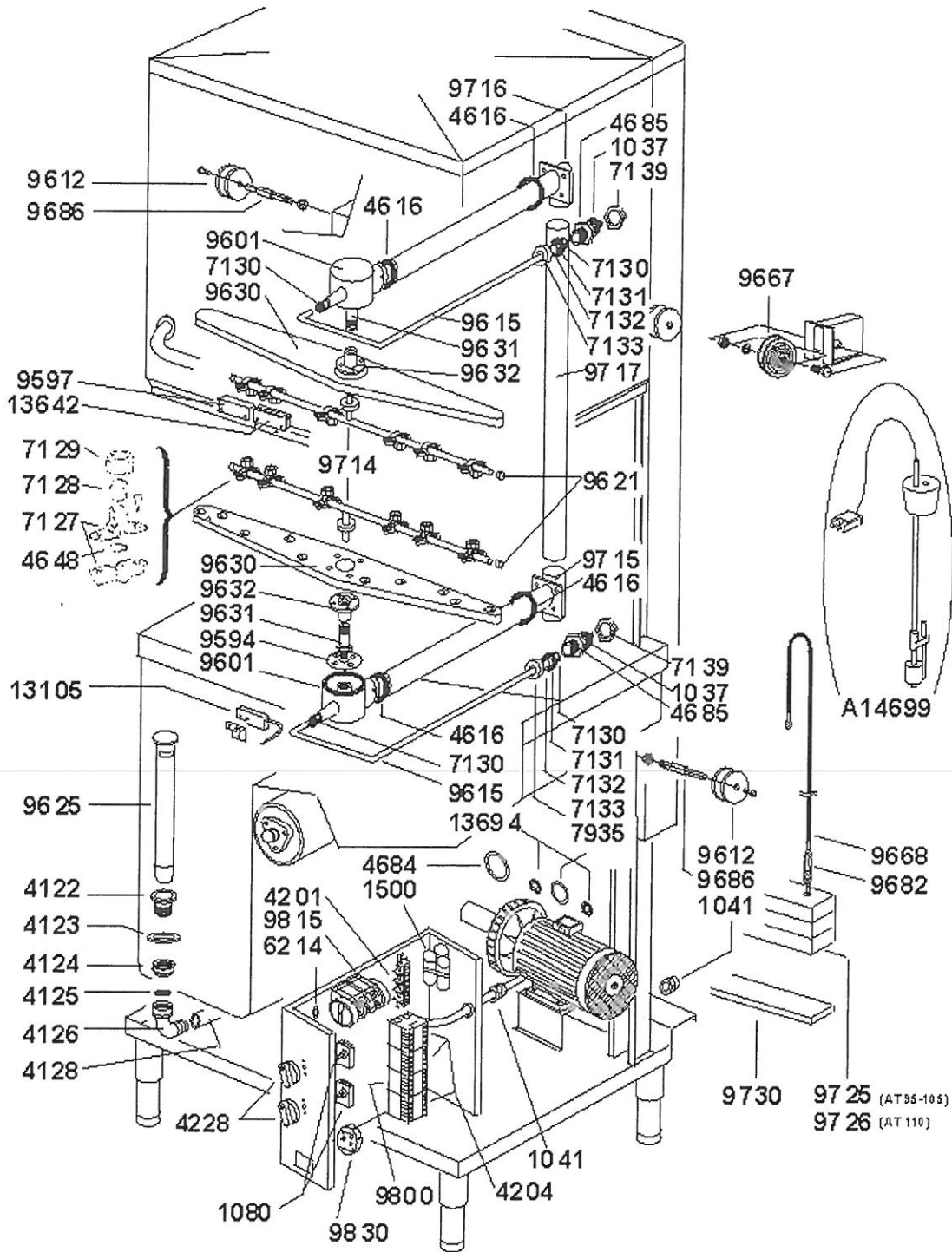
Modello
Modulo
Modulo
ELETTROPOMPA PRERISCACQUO PER ATR

Dis. N° EE.P.020

data: 01-03-00



A.T.A. S.R.L. 35026 CONSELVE (PD) ITALY VIALE DEL PROGRESSO - Z. I. PHONE 049/9500555 (4 LINEE R.A.) FAX 049/9500560



Modello
Modello
Modello

AT 95-105-110

Dis. N° EE.AT.003

data: 01-03-00



A.T.A. S.R.L. 3602 6 CO NSBEVE (PD) ITALY VALE DEL PROGRESSO 20 - Z. I.P.HONE 047/9500555 (4 LINEE RA.) FAX 0499/500660