

Modello  
Modelle  
Model  
Model  
**ELETTROPOMPA 0,62 kW**

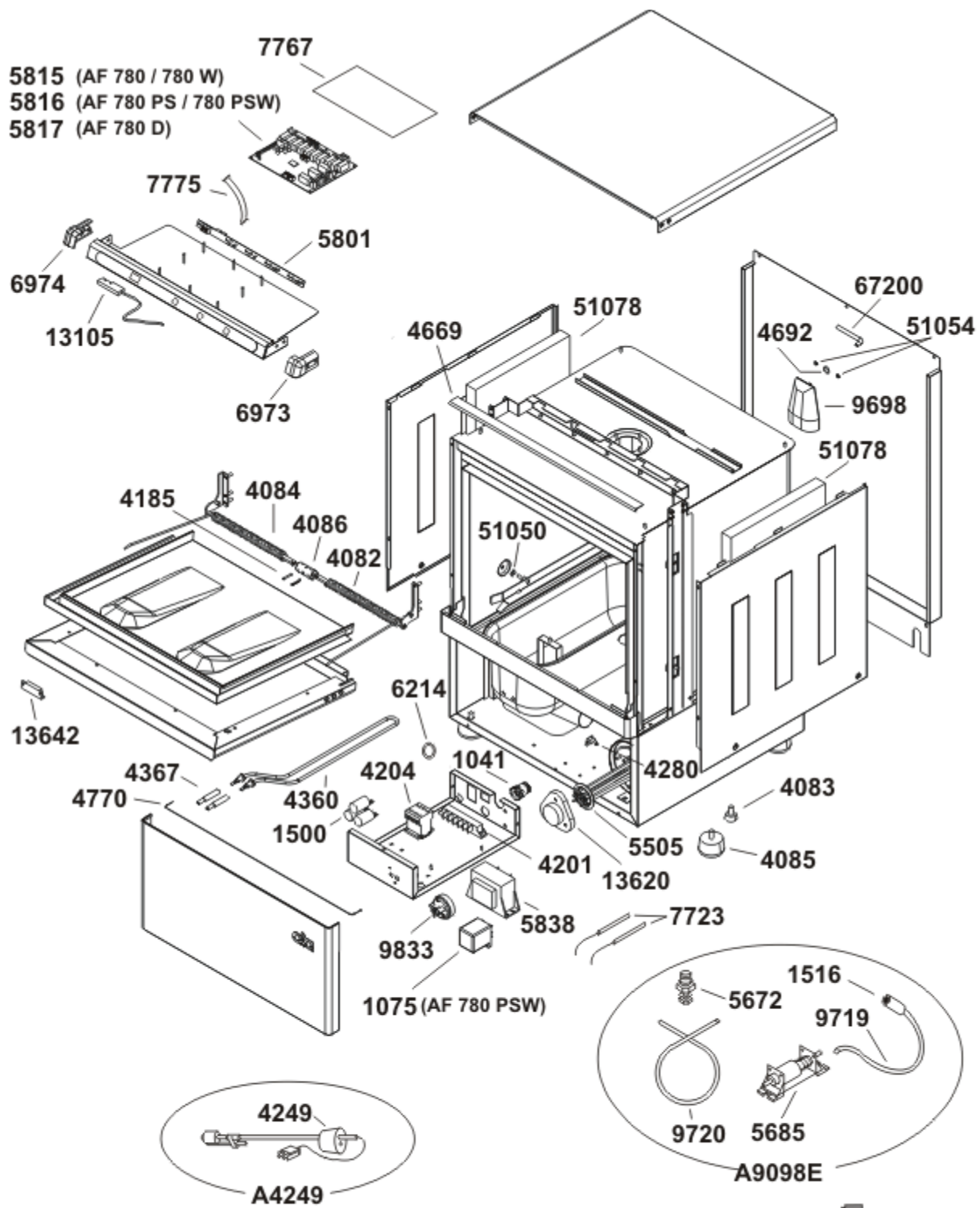
Dis. N° EE.P.034

data: 01-01-08

A.T.A. S.R.L. 35026 CONSELVE (PD) ITALY VIALE DEL PROGRESSO - Z. I. PHONE 049/9500555 (4 LINEE R.A.) FAX 049/9500560



For additional information, email us at: [info@easicook.co.uk](mailto:info@easicook.co.uk)



Modello  
 Modello  
 Modello  
 Modello

**AF 780 - PS - D - W - PSW**

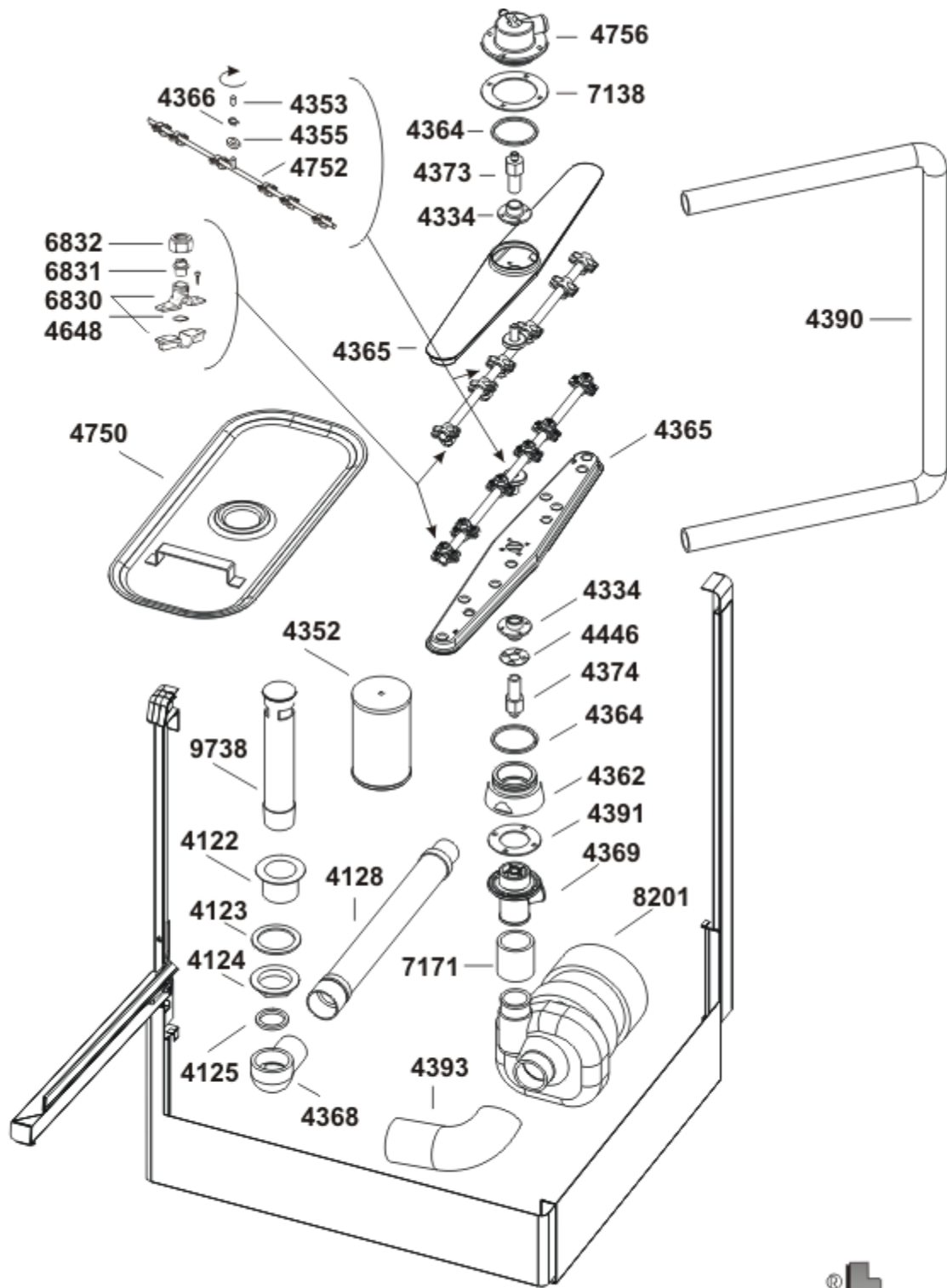
Dis. N° EE.AF.063      data: 01-01-09



A.T.A. S.R.L. 35026 CONSELVE (PD) ITALY VIALE DEL PROGRESSO 20 - Z. I. PHONE 049/9500555 (4 LINEE R.A.) FAX 049/9500560



For additional information, email us at: [info@easicook.co.uk](mailto:info@easicook.co.uk)



Modelo  
Modèle  
Model  
Modell

**AF 610-610 D-780-780 D**



Dis. N° EM.AF.057

data: 01-01-08

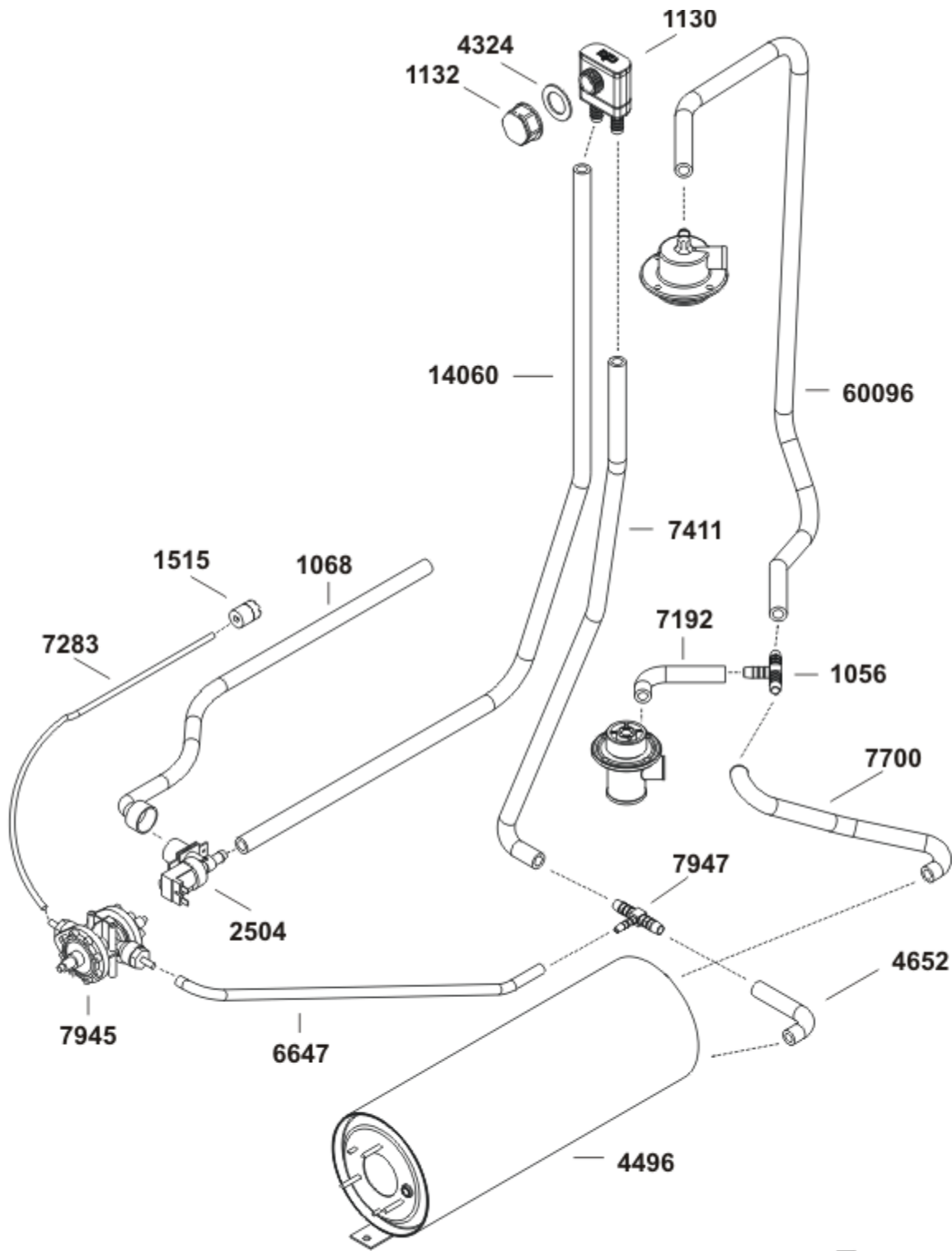
A.T.A. S.R.L. 35026 CONSELVE (PD) ITALY VIALE DEL PROGRESSO 20 - Z. I. PHONE 049/9500555 (4 LINEE R.A.) FAX 049/9500560



**EASICOOK**

ESTABLISHED 1977


For additional information, email us at: [info@easicook.co.uk](mailto:info@easicook.co.uk)



Modelo  
Modelo  
Modelo  
Modelo

# AF 610-610 PS-780-780 PS

Dis. N° EI.AF.066      data: 01-01-06



A.T.A. S.R.L. 35026 CONSELVE (PD) ITALY VIALE DEL PROGRESSO 20 - Z. I. PHONE 049/9500555 (4 LINEE R.A.) FAX 049/9500560